

TECHNICAL DATA

Working pressure P_w	bar	50...210
Flow rate	L/min	3...40
Pressure adjustment of relief valves position 1		$P_w + 10\%P_w$

Working fluid - mineral oil with viscosity from 10 to 400 cSt at 50 °C .

Temperature range: -20°C...+80°C.

Filtration absolute: 25µm .

Initial switching of directional control valve

- by push pins position 2 .

Mounting plate-

acc. To ISO 4401-AB-03-4A(CETOP3)

Tightening torque of connecting screws on the mounting plate - 8.5 N.m

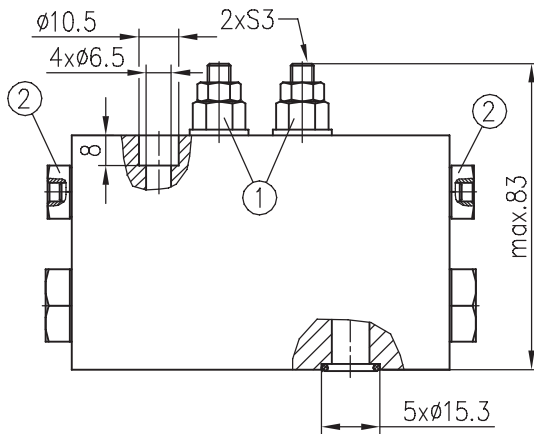
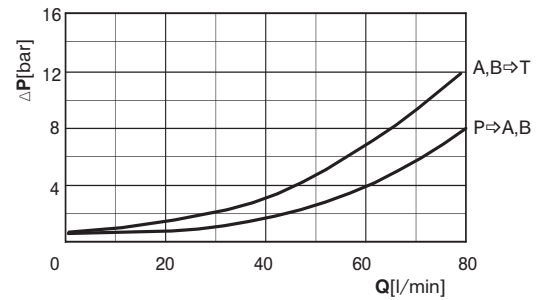
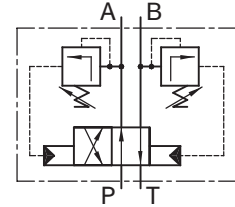
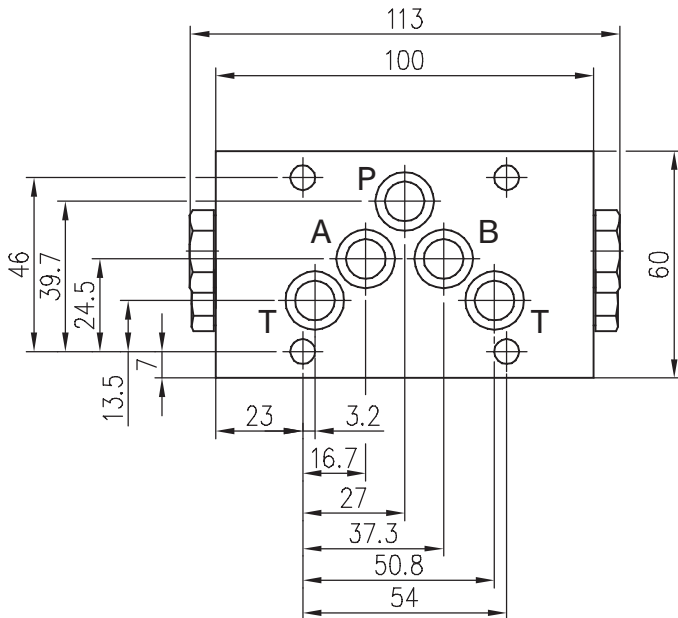
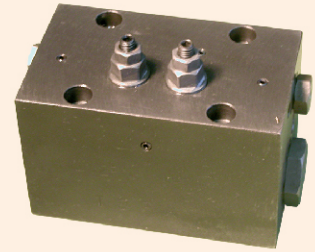


**Hidro
Pnevmo
Tehnika**

3, Vojeli St., Kazanlak, Bulgaria
Tel.: +359 431/ 62 228
Fax : +359 431/ 62 019
e-mail : info@hpt-bg.com
www.hpt-bg.com

HYDRAULIC DIRECTIONAL VALVE WITH AUTOMATIC SWITCHING

4/2 RHA 10/20



TECHNICAL DATA

Working pressure P_w	bar	50...210
Flow rate	L/min	3...80
Pressure adjustment of relief valves position 1		$P_w + 10\%P_w$

Working fluid - mineral oil with viscosity from 10 to 400 cSt at 50 °C .
Temperature range: -20°C...+80°C.
Filtration absolute: 25µm .
Initial switching of directional control valve - by push pins position 2 .
Mounting plate- acc. To ISO 4401-AB-05-4A(CETOP5)
Tightening torque of connecting screws on the mounting plate - 14 N.m

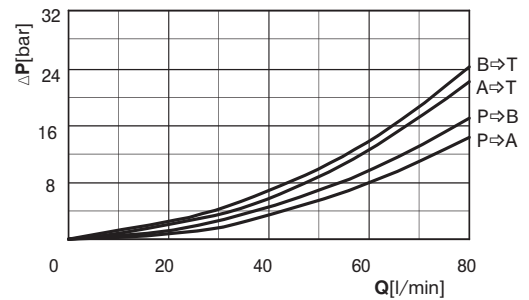
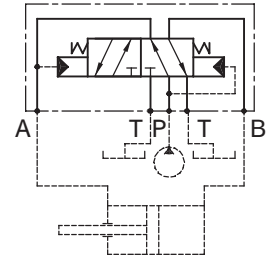
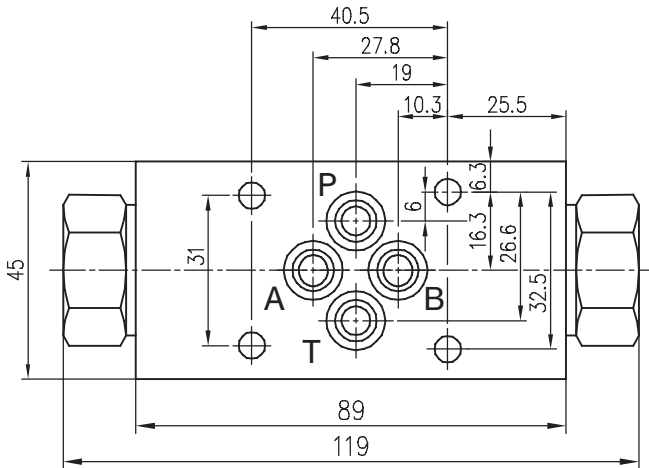
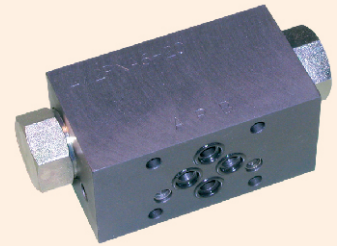


**Hidro
Pnevmo
Tehnika**

3, Vojeli St., Kazanlak, Bulgaria
Tel.: +359 431/ 62 228
Fax : +359 431/ 62 019
e-mail : info@hpt-bg.com
www.hpt-bg.com

HYDRAULIC DIRECTIONAL VALVE WITH AUTOMATIC SWITCHING

4/2 RHA 06/20A



TECHNICAL DATA		
Working pressure	bar	30...210
Flow rate	L/min	3...40

Working fluid - mineral oil with viscosity from 10 to 400 cSt at 50 °C .

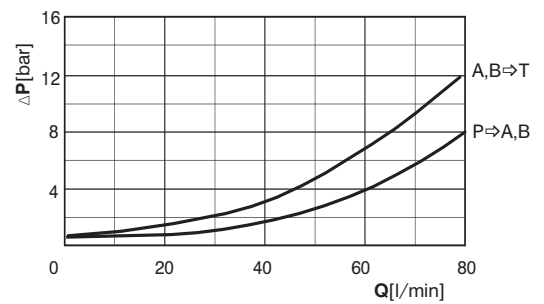
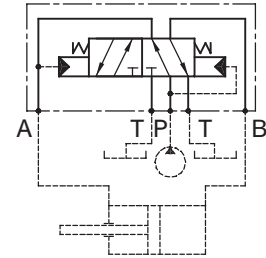
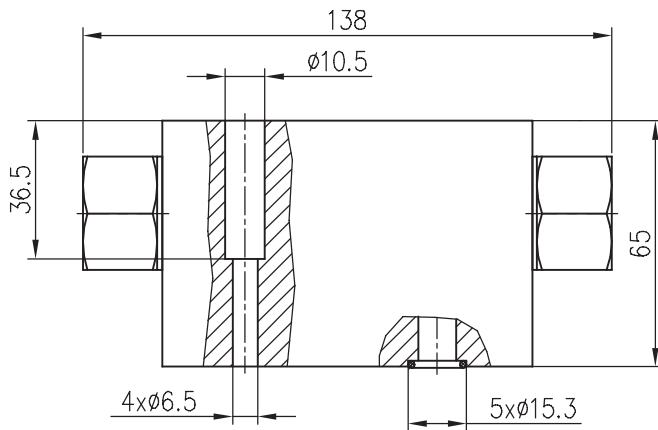
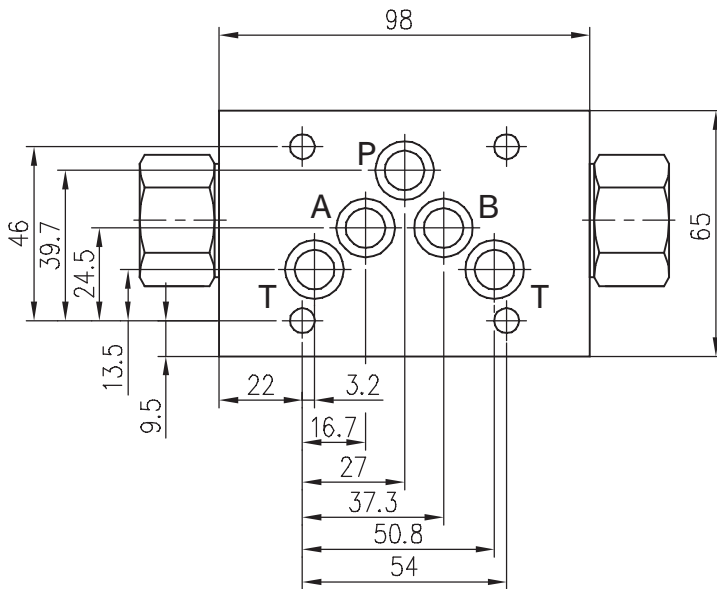
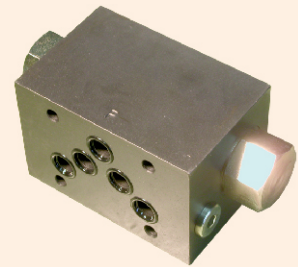
Temperature range: -20°C...+80°C.

Filtration absolute: 25µm .

Mounting plate

acc. To ISO 4401-AB-03-4A(CETOP3)

Tightening torque of connecting screws on the mounting plate - 8.5 N.m



TECHNICAL DATA		
Working pressure	bar	30...210
Flow rate	L/min	3...80

Working fluid - mineral oil with viscosity from 10 to 400 cSt at 50 °C .
 Temperature range: -20°C...+80°C.
 Filtration absolute: 25µm .
 Mounting plate-
 acc. To ISO 4401-AB-05-4A(CETOP5)
 Tightening torque of connecting screws on the mounting plate - 14 N.m

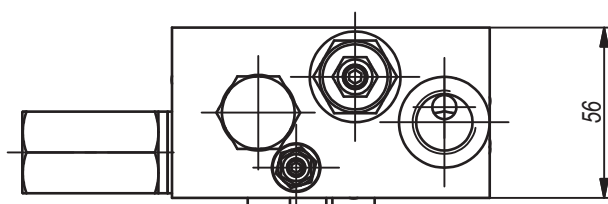
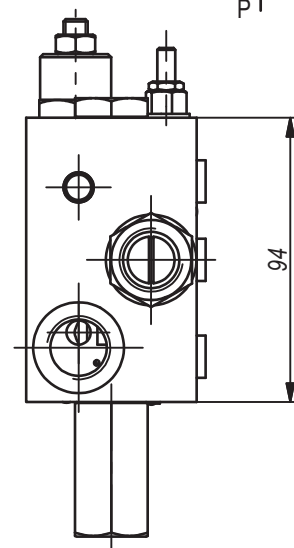
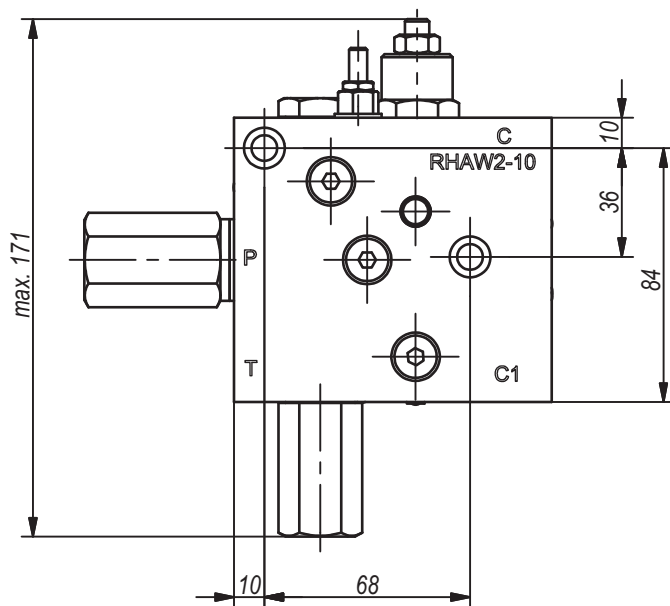
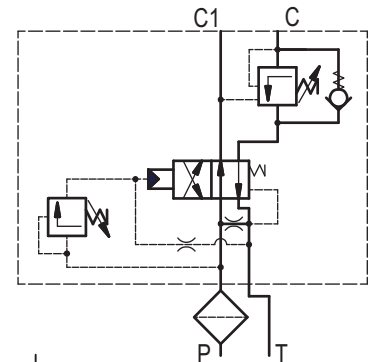
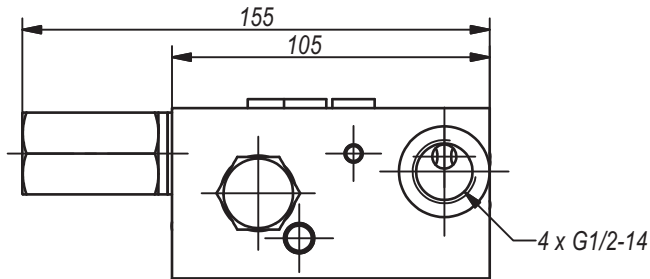
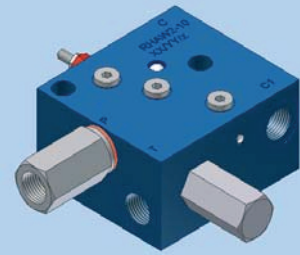


**Hidro
Pnevmo
Tehnika**

3, Vojeli St., Kazanlak, Bulgaria
Tel.: +359 431/ 62 228
Fax : +359 431/ 62 019
e-mail : info@hpt-bg.com
www.hpt-bg.com

HYDRAULIC DIRECTIONAL CONTROL VALVE WITH AUTOMATIC SWITCHING

RHAW 2 - 10



TECHNICAL DATA

	Measurement unit	Value
Maximum pressure	bar.	200
Supply flow range	L/min	10...50
Control range of the switching pressure	bar.	50...200
Adjustment range of the overcenter valve (OWC)	bar.	100...250

All performances and calibration are carried out by using hydraulic oil with viscosity approx 46 cSt at 50 °C
Temperature range: -20...+80 °C
Filtration absolute: 25 µm

ORDERING CODE

RHAW2-10

Type